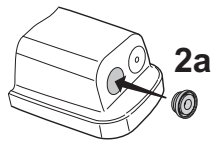
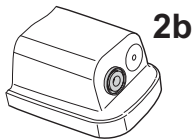




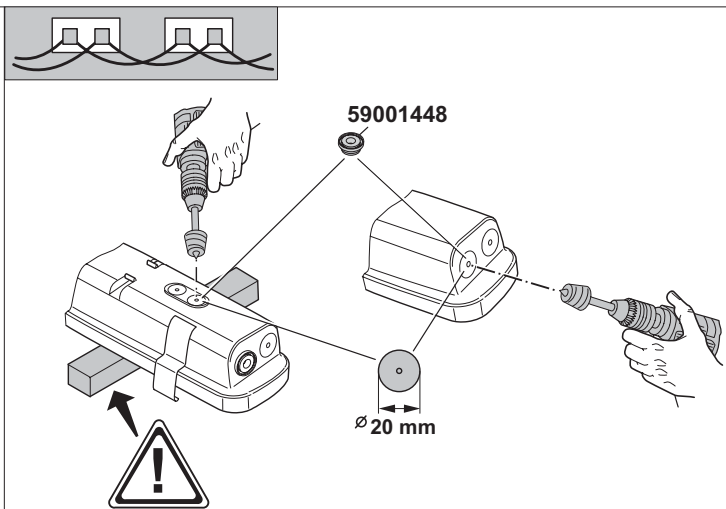
2



2a



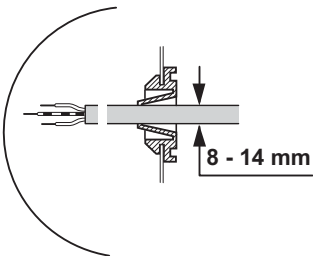
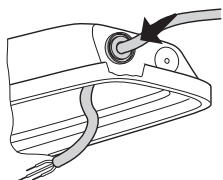
2b



59001448

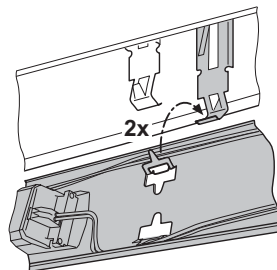
∅ 20 mm

3

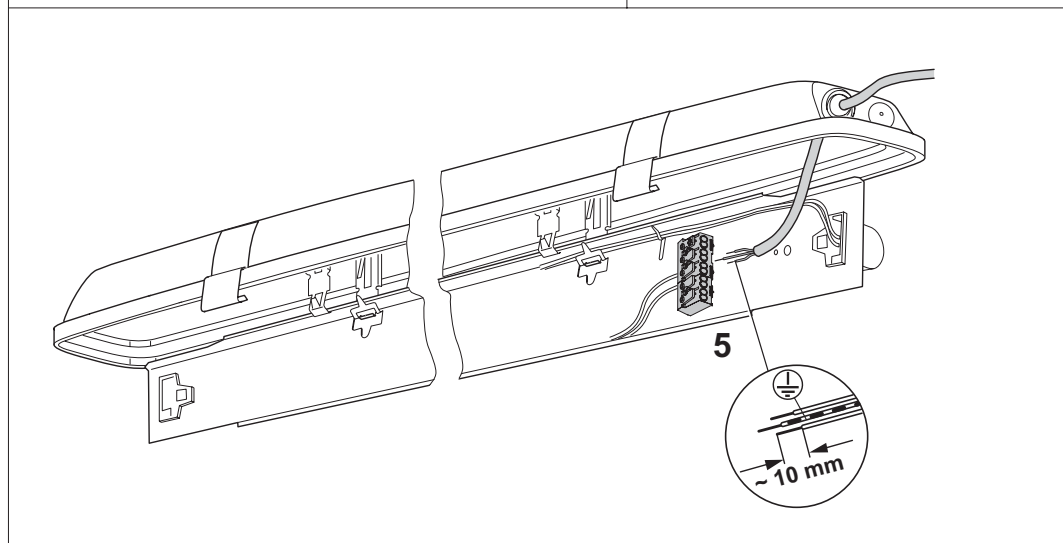


8 - 14 mm

4

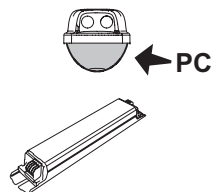


2x



5

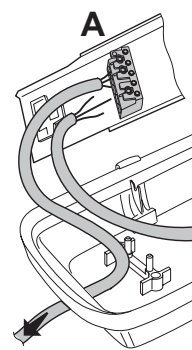
~ 10 mm



PC

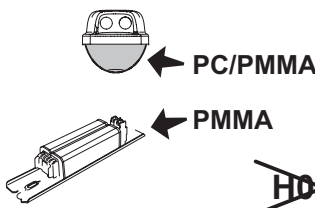
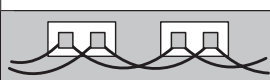
+ HF H05VV

96233959 B



A

! • 18W • 54W • Emergency



PC/PMMA

PMMA

+ CP/NC

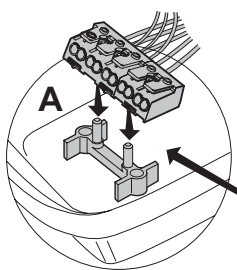
+ HF

~~H05VV~~

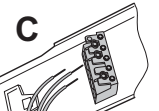
96503163 FORCE2 28/36 TW KIT  
96503164 FORCE2 35/49/58 TW KIT  
96503165 FORCE2 70 TW KIT



B



A



C

! • 18W • 54W • Emergency