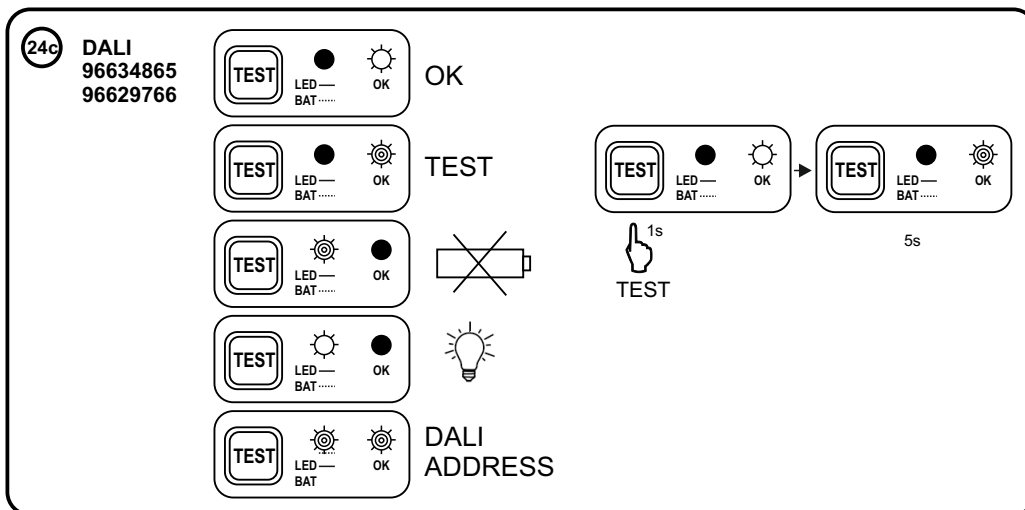
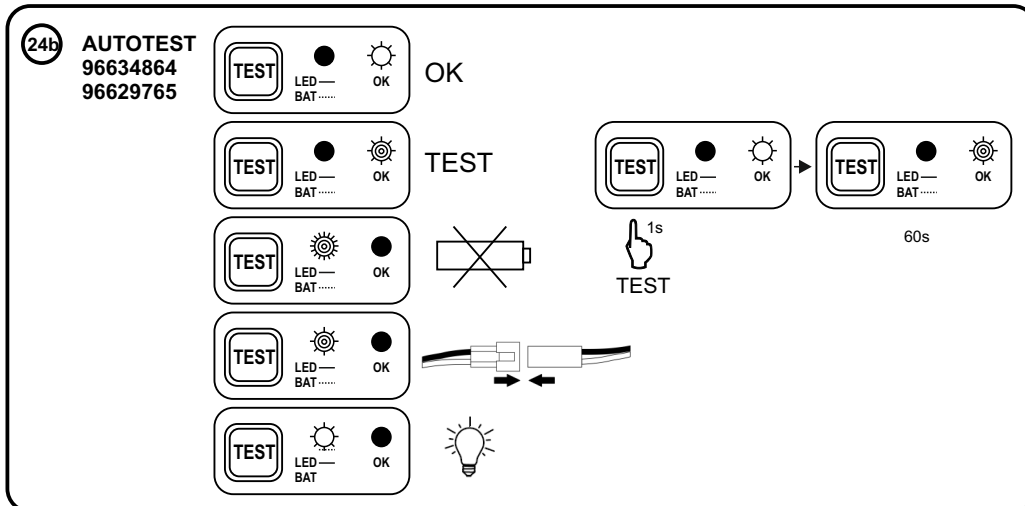
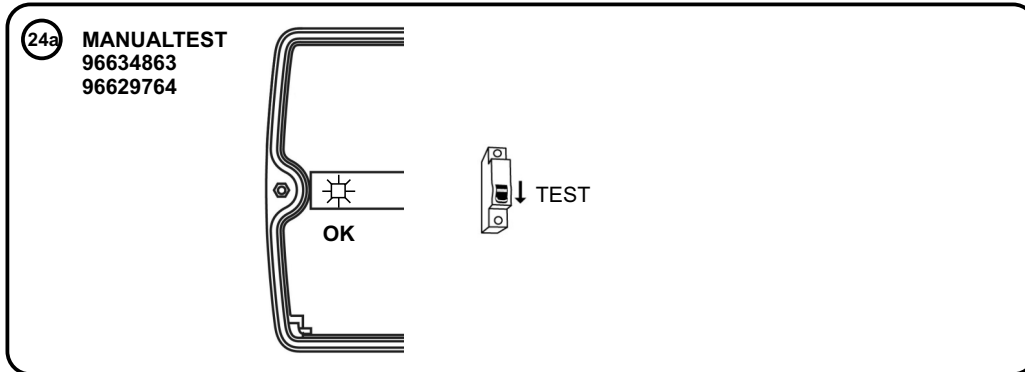


THORN



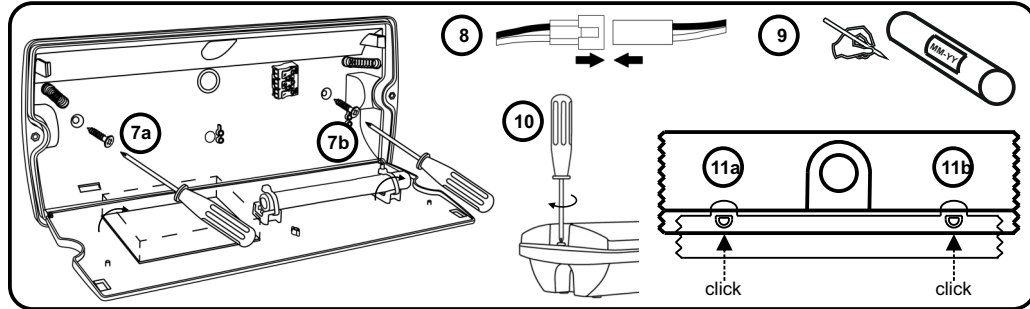
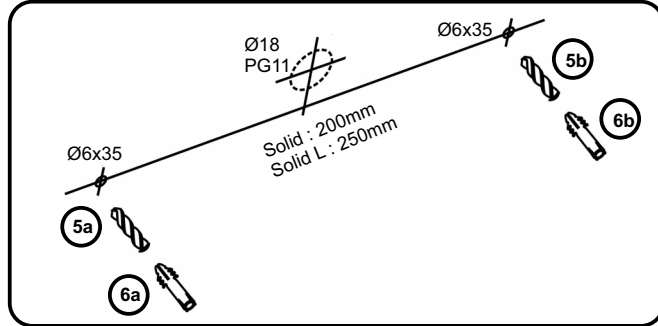
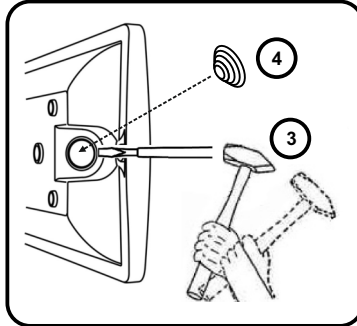
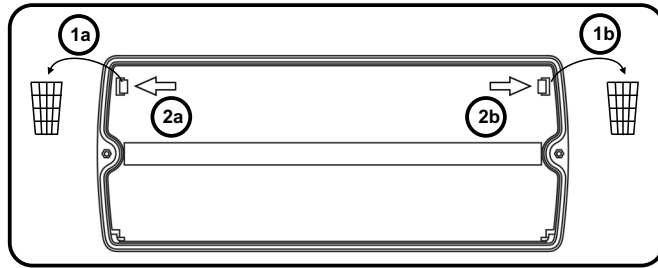
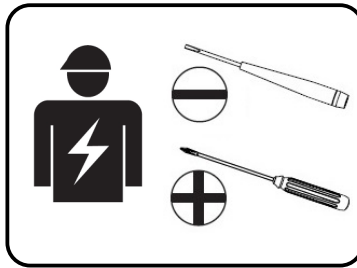
Voyager Solid / Voyager Solid L

96634863 Voyager Solid MS E3-S WH
96634864 Voyager Solid MS E3T-S WH
96634865 Voyager Solid MS E3D-S WH

96629764 Voyager Solid L MS E3-S WH
96629765 Voyager Solid L MS E3T-S WH
96629766 Voyager Solid L MS E3D-S WH



- | | |
|------------------------------------|-------------------------------|
| [UK] Installation Instructions | [NO] Monteringsanvisning |
| [DE] Montageanleitung | [DK] Monteringsvejledning |
| [IT] Istruzioni di montaggio | [FI] Asennusohje |
| [FR] Notice de montage | [SE] Installationsanvisning |
| [NL] Installatie Instructies | [EE] Paigaldusjuhend |
| [ESP] Instrucciones de Instalación | [HU] Szerelési útmutató |
| [CZ] Montážní návod | [LV] Instalācijas instrukcija |
| [LT] Montavimo instrukcijos | [PL] Instrukcja montażu |
| [RU] Инструкция по монтажу | [TR] Montaj Talimatı |



Non-maintained mode;
Bereitschaftsschaltung;
Circuito in emergenza;
Éclairage non permanent;
Stand-byschakeling;
Encendido no permanente

Maintained mode;
Dauerschaltung;
Circuito permanente;
Mode permanent;
Permanente schakeling;
Encendido permanente

Switched maintained mode;
Geschaltetes dauerlicht;
Luce accesa permanente;
Écl permanent activé;
Geschakelt permanent licht;
Luz constante encendida

96634863 E3 } X(0)*180
96629764 E3 } X(0)*180

96634864 E3T } X(0)AF180
96629765 E3T } X(0)AF180
96634865 E3D } X(0)AF180
96629766 E3D } X(0)AF180

96634863 E3 } X(1)*180
96629764 E3 } X(1)*180

96634864 E3T } X(1)AF180
96629765 E3T } X(1)AF180
96634865 E3D } X(1)AF180
96629766 E3D } X(1)AF180

230 V~ 50-60 Hz max 6VA

8-9mm 0.75-2.5Ω

DA I/O DA

Voyager SOLID		3.6V		
96634863 E3	1,5Ah-Ni-Cd (59009286)	145 Lm	23m	
96634864 E3T	1,5Ah-Ni-Cd (59009286)	145 Lm	23m	
96634865 E3D	2,2Ah-Ni-MH (59009287)	135 Lm	23m	

Voyager SOLID L		3.6V		
96629764 E3	1,5Ah-Ni-Cd (59009286)	118 Lm	26m	
96629765 E3T	1,5Ah-Ni-Cd (59009286)	118 Lm	26m	
96629766 E3D	2,2Ah-Ni-MH (59009287)	110 Lm	26m	

