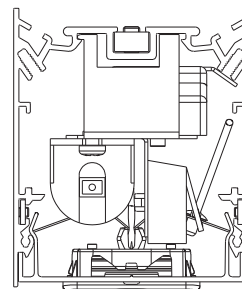
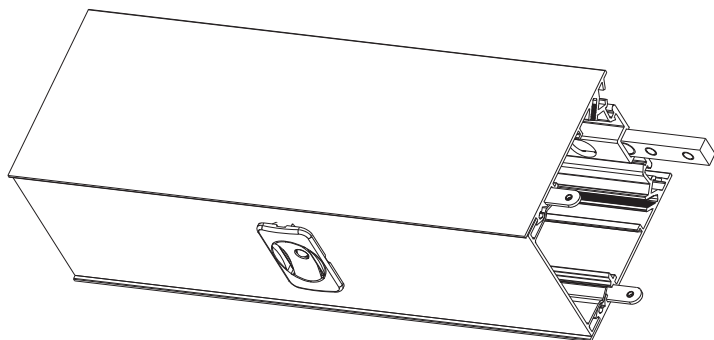


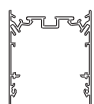
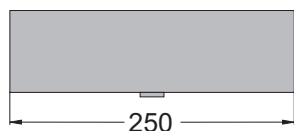
UK Installation Instructions
DE Montageanleitung
CZ Montážní návod
DK Monteringsvejledning
EE Paigaldusjuhend

FI Asennusohje
FR Notice de montage
HU Szerelési útmutató
IT Istruzioni di montaggio
LT Montavimo Instrukcijos

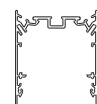
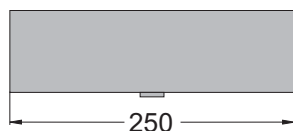
LV Instalācijas instrukcija
NO Monteringsanvisning
PL Instrukcja montażu
SE Installationsanvisning
RU Инструкция по монтажу



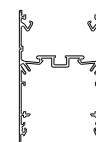
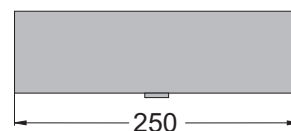
MSWT/ MCE



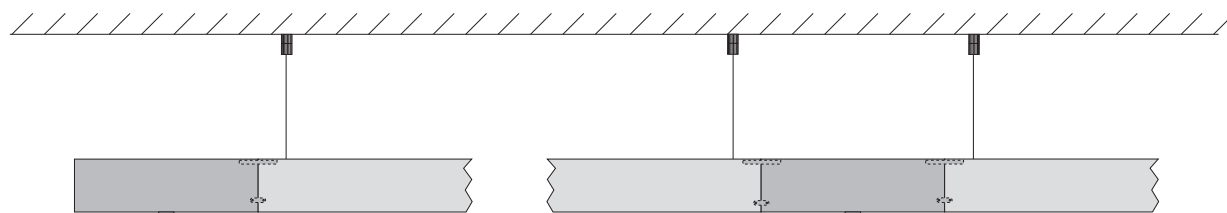
MRE



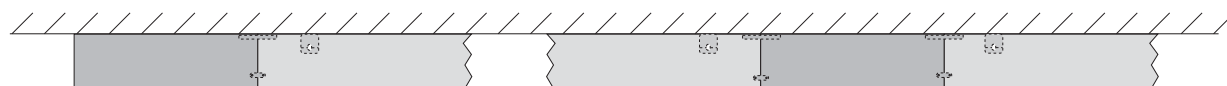
Direct/ Indirect



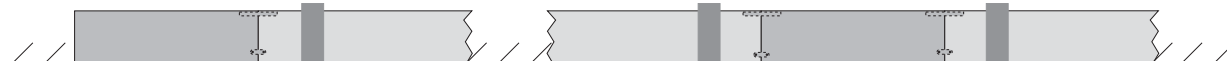
MSWT

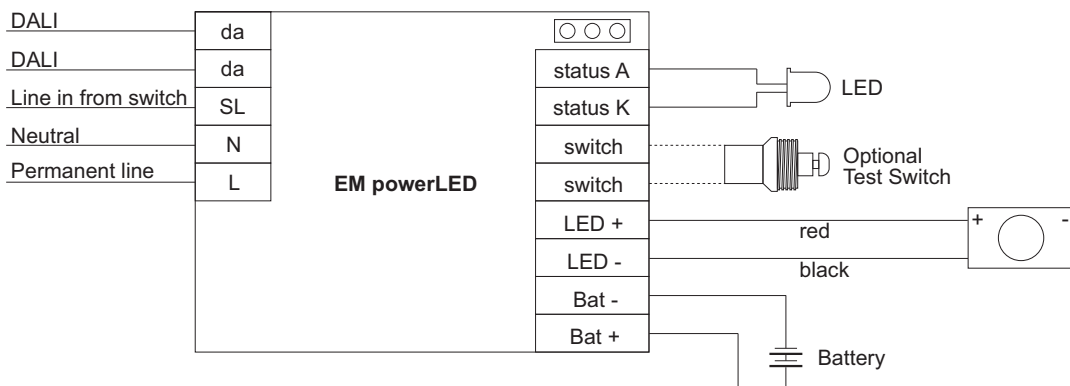
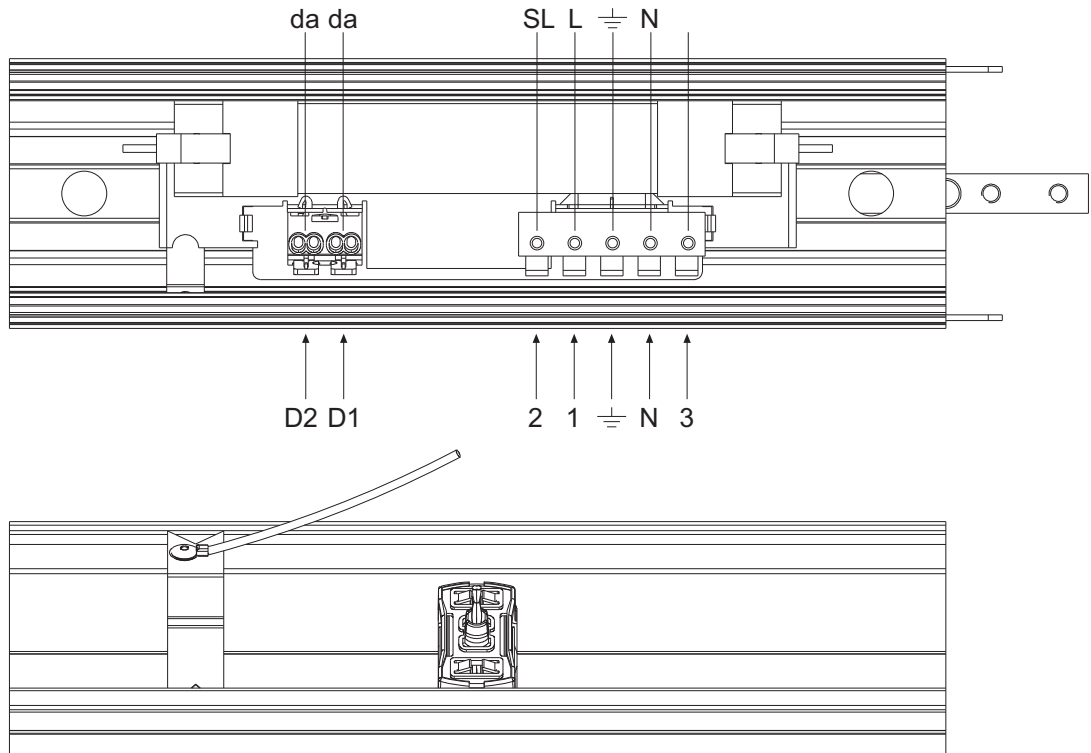
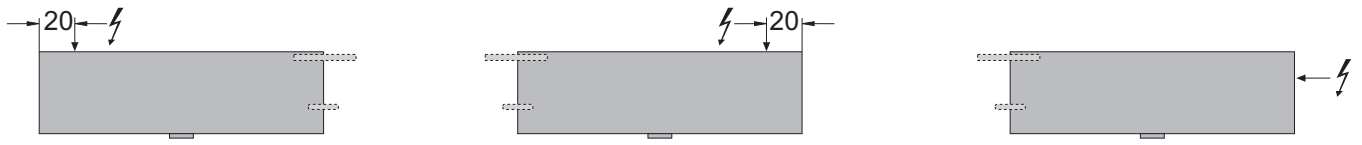


MCE



MRE





Status indication

System status is indicated by a bi-colour LED and by a DALI status flag.

EN 1338: E³ 0,5/ nx
white 6.500K
1.2W
Integrated indicator LED

LED indication	Status	Commentary
Permanent Green	System OK	AC Mode
Fast flashing green (0.1sec. on - 0.1sec off)	Function test underway	
Slow flashing green (1sec. on - 1 sec. off)	Duration test underway	
Red LED on	Load failure	Open circuit/ Short circuit/ LED failure ¹⁾
Slow flashing red (1sec. on - 1sec. off)	Battery failure	Battery failed the duration test or function test/ Battery is defect/ incorrect battery voltage
Fast flashing red (0.1sec. on - 0.1sec. off)	Charging failure	incorrect charging current
Double pulsing green	Blocking mode	Switching into blocking mode via controller
Binary transmission of address via green/red LED	Address identification	During address identification mode
Green and red off	DC mode	Battery operation (Emergency mode)

¹⁾ If the EM power LED is operated in non-maintained mode and an LED fault is detected, the red indicator LED will be illuminated and the output will be stopped. The unswitched mains supply must be switched off before the LED is changed in order that the new LED can be detected. A function or duration test will not reset the fault indication.